

Mass Spectrometer System	Pole Ø	A	B	C	D	E	X	Y	MF	AF
HAL/3F RC 51/301/501	6	308	280.7	151	157	213	60	35	DN 63-CF	DN 40-CF
HAL/3F RC 1051/1301/1501/12501-9	9	411	397.5	196	215	261	95	60	DN 100-CF	DN 63-CF
HAL/3F RC 2301/2501/2001-12	12	411	397.5	N/A	N/A	261	95	95	DN 100-CF	N/A
HAL/3F RC 51/301/501 PIC	6	308	N/A	151	157	213	60	35	DN 63-CF	DN 40-CF
HAL/3F RC 1051/1301/1501/12501 PIC -9	9	411	397.5	196	215	261	95	60	DN 100-CF	DN 63-CF
HAL/3F RC 2301/2501/2001 PIC-12	12	411	397.5	N/A	N/A	261	95	95	DN 100-CF	N/A
EPIC 50/300/500	6	308	279.7	151	157	400	60	38.5	DN 63-CF	DN 40-CF
EPIC 1000 series 50/300/510/1000/2500	9	411	397.5	196	215	442	95	60	DN 100-CF	DN 63-CF
EPIC 2000 series 300/510/1000	12	411	397.5	N/A	N/A	442	95	95	DN 100-CF	N/A
IDP 50/300/500	6	327	N/A	N/A	N/A	400	60	38.5	DN 63-CF	DN 40-CF
IDP 1000 series 50/300/510/1000/2500	9	436	397.5	216	220	442	95	60	DN 100-CF	DN 63-CF
IDP 2000 series 300/510/1000	12	436	397.5	N/A	N/A	442	95	95	DN 100-CF	N/A

**Notes:-**

Dimensions are in mm.

Lengths identified include clearance for gauge and filament wiring, and are minimum clearance dimensions.

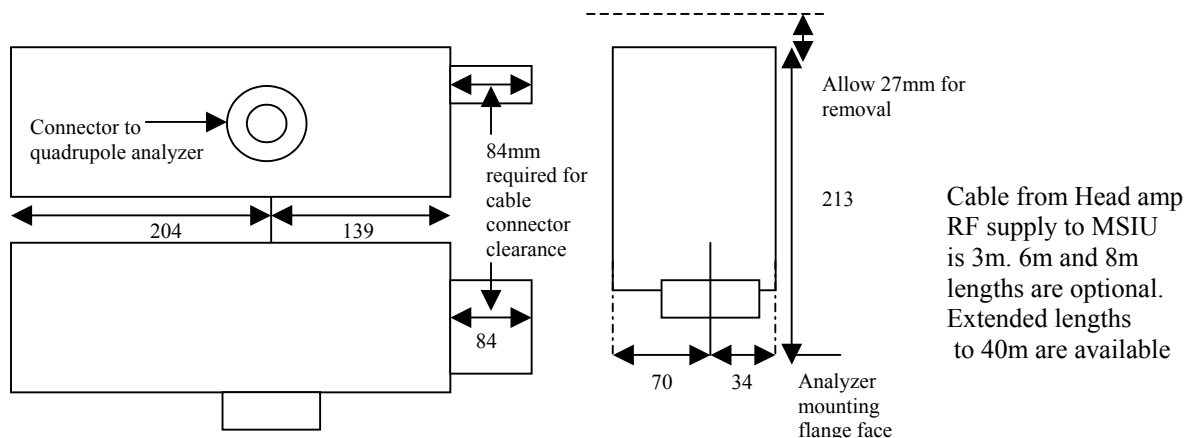
**Length C** identifies the maximum insertion available of the quadrupole through an optional UHV adaptor housing; other insertions are available.

**Length E** does **not** include clearance for removal of head amplifier / RF unit:

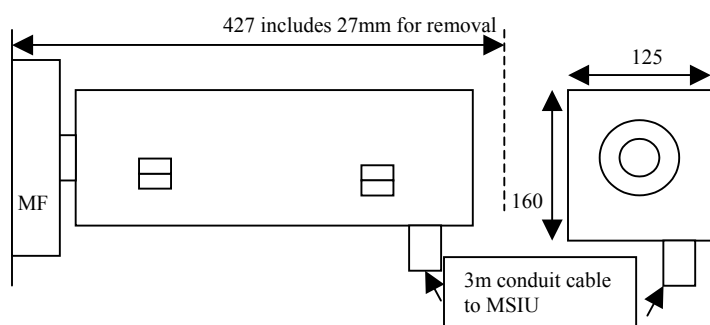
for 6mm pole diameter systems **add 27mm**, and for 9mm & 12mm pole diameter systems **add 77mm** clearance.

## 3F Series Quadrupole Mass Spectrometer Dimensions Cont.

### Head amp./RF supply for HAL/3F RC 51/301/501 and HAL/3F RC 51/301/501 PIC systems

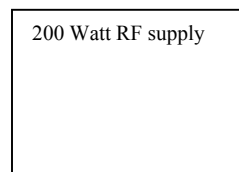
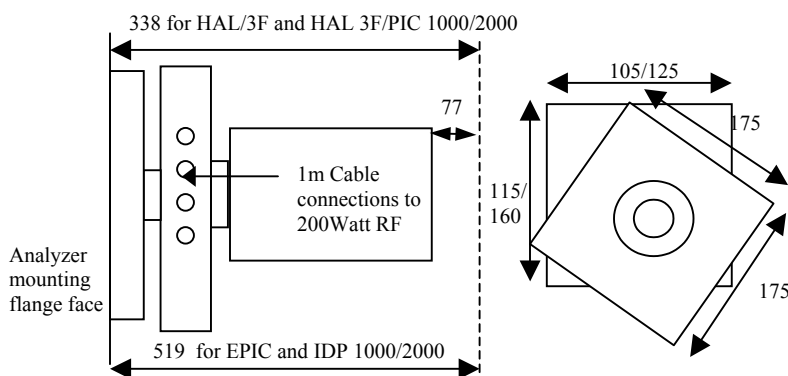


### Head amp./RF supply for EPIC 50/300/500 and IDP 50/300/500 systems.



The connection from the head amp RF supply to the MSIU is a rugged 3m conduit. 6m and 9m conduit length options available.

### Head amp./RF supply for 1000/2000 series systems.



The 200 watt RF supply is a free standing module:  
Height 271mm. Width 440mm.  
Depth 272mm.

### MSIU- Mass Spectrometer Interface Unit - Connects to PC computer via RS232 or RS422 or LAN10 base 2.

The MSIU for the HAL/3F and The HAL /3F PIC systems is a 19 inch rack unit. Height 88mm/2U. Width 450mm/19inch rack mounting. Depth 475 mm, including 75mm for cable clearance. Includes power switch and filament/emission status indicators. The MSIU for EPIC and IDP is a 19inch rack unit, Height: 315mm/7U. Width 450mm/19" rack mounting, Depth: 450mm.



HIDEN ANALYTICAL LTD  
420 EUROPA BOULEVARD  
WARRINGTON WA5 7UN ENGLAND  
Tel: +44 (0) 1925 445225 Fax: +44 (0) 1925 416518  
Email: info@hiden.co.uk  
Web Site: <http://www.HidenAnalytical.com>

Please note the specifications in this document may be changed and cannot form part of any contract.

H:\wordproc\techinfo\rga\ti546\_3f\_series\_dimensions.doc